



RN-1000 Tubular Nugget Ice Machine

Models

RN-1008A

RN-1009W



RN-1008A Nugget Ice Machine on B-570 Bin

RN-1008A Nugget Ice Machine on Servend SV-250 Dispenser

Standard Features

- Up to 1083 lbs. (491 kgs) daily ice production.
- Only 30" (76.2 cm) wide.
- Perfect for beverage applications, dispensing and cold therapy.
- Evaporator is designed for maximum quality and operating life.
- 90% ice to water ratio and longer pieces makes tubular nugget ideal for dispensing without congealing.
- Great for blended drinks with less wear on blender and smoother texture.
- Optional 9" discharge tube ships in carton for dispense applications.



Specifications

BTU Per Hour:

Air-cooled: 11,300
Water-cooled: 12,800

Compressor:

Nominal rating: 1 HP

Refrigerant: R404A

Cupra-Nickel Condenser:
(Water-cooled models)
Adds protection from
corrosive water elements.

Operating Limits:

- Ambient Temperature Range:
50°-100°F (14.4°-37.8°C)
- Water Temperature Range:
45°-90°F (7.2°-32.2°C)
- Water Pressure Ice Maker
Water In:
Min. 20 psi (137.9 kPa)
Max. 70 psi (483 kPa)

Ice Machine Electric

208-230/60/1 ice machines are factory pre-wired with a 7' (2m) power cord and NEMA 6-15 right angle plug configuration.

Total Amps: Air-cooled: 11 amps
Water-cooled: 11 amps

Maximum fuse size: Air- and Water-cooled: 15 amps

Ice Shape

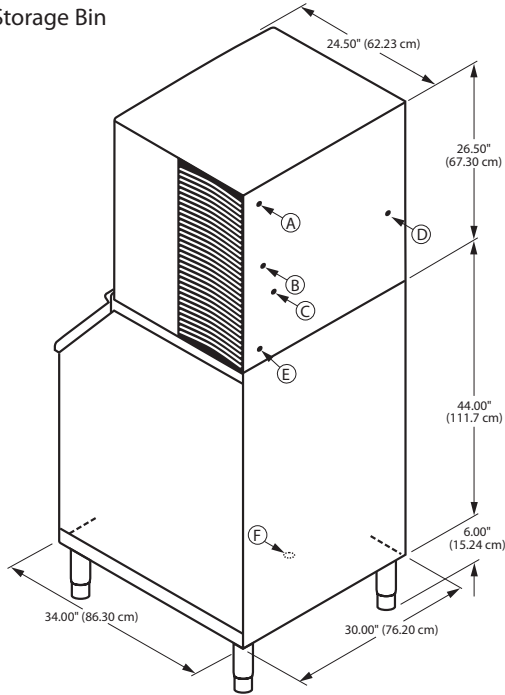
- Tubular Nugget Ice provides a softer, chewable texture while still providing maximum cooling effect.
- 5/8" (1.59 cm) diameter cylindrical-shaped nugget with average length of approximately 1" (2.54 cm).





RN-1000 Tubular Nugget Ice Machine

RN-1000 on B-570 Storage Bin



- A 3/8" F.P.T. Ice Making Water Inlet
- B 1/4" F.P.T. Water Condenser Outlet (water-cooled units)
- C 1/4" F.P.T. Water Condenser Inlet (water-cooled units)
- D Electrical Entrance
- E 3/4" M.P.T. Ice Making Water Drain
- F 3/4" Bin Drain

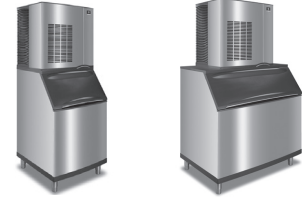
Installation Note -

Minimum installation clearance: Top/sides: 8" (20.32 cm), back: 5" (12.7 cm).

Dispenser Note -

Verify with the dispenser manufacturer that the correct agitator and deflector kit for nugget ice dispensing is included with your dispenser purchase.

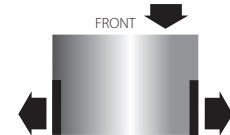
Space Saving Designs



	RN-1000 B-570	RN-1000 B-970*
Height	76.50" 194.30 cm	76.50" 194.30 cm
Width	30.00" 76.20 cm	48.00" 121.92 cm
Depth	34.00" 86.30 cm	34.00" 86.30 cm
Bin Storage	430 lbs. 195 kgs	710 lbs. 322.2 kgs

*K-00370 adapter required with B-970 bin.
Height includes adjustable bin legs 6.00" to 7.00", (15.24 to 17.78 cm) set at 6.00" (15.24 cm).

Air Flow Top View



Specifications

	Model	Ice Shape	Ice Production 24 Hours		Power Usage kWh/100 lbs. @ 90° Air/70°F 32° Air/21°C Water	Water Usage/100 lbs. 45.4 kgs of Ice	
			70° Air/ 50°F Water 21° Air/10°C Water	90° Air/ 70°F Water 32° Air/21°C Water		Potable Water	Condenser Water
AIR-COOLED	RN-1008A	Nugget	1083 lbs.	821 lbs.	5.51	13.6 Gal.	-
			491 kgs	372 kgs		52 L	-
WATER-COOLED	RN-1009W	Nugget	1020 lbs.	874 lbs.	5.00	13.6 Gal.	108 Gal.
			463 kgs	396 kgs		52 L	409 L

Order ice storage bin separately. "A", or "W" following model number indicates "Air", or "Water" condensing unit. Will not accept AuCS accessory.